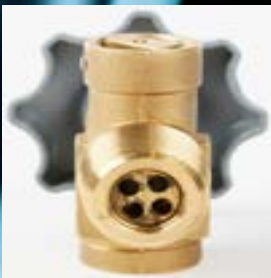


# II-O-SAM

**Overflow cutoff valve in LPG**

**The best safe valve**



II-O-Sam Co., Ltd.



LPG  
safe

# LPG Cylinder valves for Automobile

용기용 밸브(KS B 6212, 6214)

차단 기능형 LPG 밸브 (20K)

가용전밸브(12K, 20K)

LPG 용기용 밸브 (50K)

싸이론 밸브 (50K)

부탄가스 용기용 밸브 (13K)

소형 LPG 용기용 밸브 (3K)

고압가스 용기용 밸브 (50K)





KOTRA's Global Promotion Project  
for Excellent Export Products

# Overflow cutoff valve in lpg

## Function

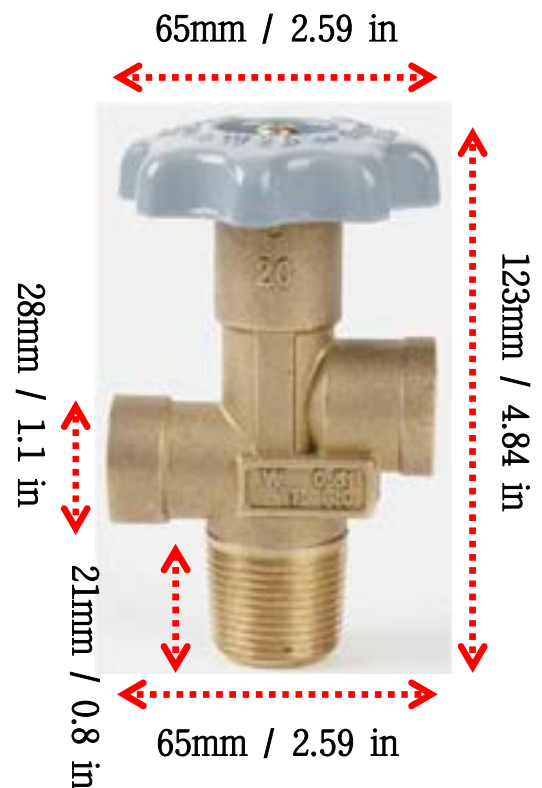
Prevent secondary accidents in case of a large shock as an **earthquake or fire**.

## Desined operate Automatically shut off

- A gas pipe(hose) rupture.
- A gas pipe(hose) minor damage.
- A gas tank falls any sides.
- Separate regurator or pipe.

## Specification

- Any type of lpg container can be applied (10kg ~50kg).
- Durable year : 2 and  $\frac{1}{2}$  years.
- Size : 123mm(H) X 65mm (W)
- Material : copper





KOTRA's Global Promotion Project  
for Excellent Export Products

# Safety Valve

[INQ. NO. 2407M14] Il-O-Sam Co., Ltd. is a company that has been specializing in the production of valve fittings through forging and processing brass materials since its establishment in 1985.

Il-O-Sam developed the cut-off overflow valve to prevent secondary accidents in the event of a large shock such as an earthquake or fire. This product can significantly reduce accidents with gas cylinders by preventing accidents through the valve's own function in situations where people cannot do anything.

## Cut-off overflow valve

The company's cut-off overflow valve built into the safety valve can be used for LPG/propane gas for household and restaurant use. The conventional safety valves cannot automatically cut off the flow of gas when an earthquake, fire, severe shock, or accident occurs, affecting the tank, hose, or combustion unit.



The Overfill Prevention Device (OPD) valve developed in the United States has the limitation that it can only be operated when the pressure regulator is removed. However, Il-O-Sam's cut-off overflow valve is designed to operate automatically in the event of a gas pipe rupture (above the allowable level).

The cut-off overflow valve disconnects the pressure regulator and automatically cuts off the gas when the valve is opened. This product also has such additional functions as automatic gas shutoff if the pressure regulator is accidentally separated or detached from the hose during use; automatic gas shutoff if the gas supply line (hose or

pipe) is cut or ruptured; automatic gas shutoff if the LPG cylinder falls over due to an earthquake or impact; automatic gas shutoff if the valve itself is defective or damaged by external impact; and automatic gas shutoff if the pressure regulator is damaged during use.



The cut-off overflow valve is installed inside the valve (embedded type) and costs only about 10% of the price of the existing valves. Therefore, by simply adopting the company's overcurrent blocking component to the existing OPD valves, users' products ultimately can be upgraded to the best safety valve.

## • Il-O-Sam Co., Ltd.

43-1, Janyeong-ro 144Ibeon-gil, Yeongju-si, Gyeonggi-do, Republic of Korea  
Tel: (82-31) 531-9980  
Fax: (82-31) 531-8896  
E-mail: dmshtu007@naver.com



Buy Korea link



Video sample



KOTRA's Global Promotion Project  
for Excellent Export Products

# IL-O-SAM Overflow Cutoff valve

Ordinary existing valve



IL-O-SAM valve



Prevention of overflow part inserted



Buy Korea link



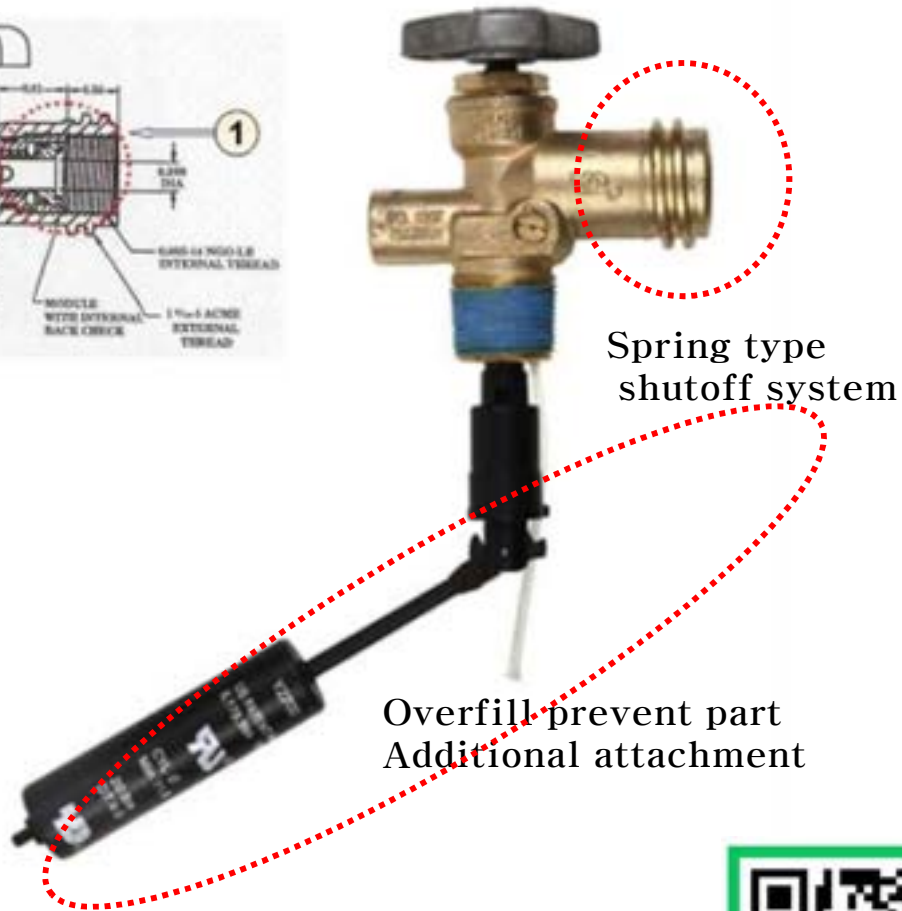
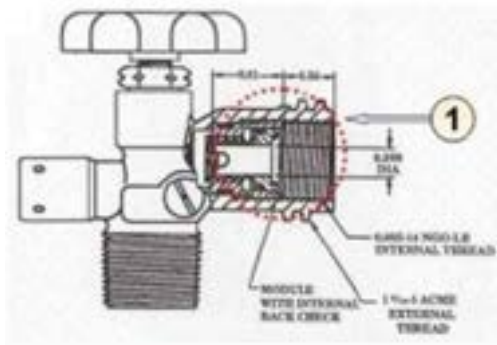
Video sample

This valve can perfectly protect from all dangers with **Just a simple operation on the existing valve**



KOTRA's Global Promotion Project  
for Excellent Export Products

# Overflow Cutoff valve in U.S



U.S cutoff valve  
Video sample

## Function

- For DOT Cylinder up to 40 lbs
- **Overfilling Prevention Device**
- **Automatically shutoff when only regulator seperated**
- This product is currently being used in the United states inserted with an internal circuit breaker function in the charging port



KOTRA's Global Promotion Project  
for Excellent Export Products

# Overflow cutoff valve in lpg

## Function

Prevent secondary accidents  
in case of a large shock  
as an **earthquake or fire**.

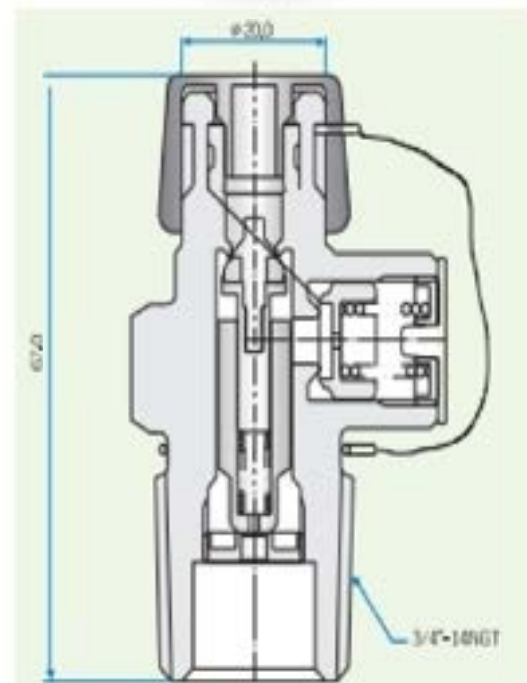
Designed to operate  
Automatically shut off

- A gas pipe(hose) rupture.
- A gas pipe(hose) minor damage.
- A gas tank falls any sides.
- Separate regulator or pipe.



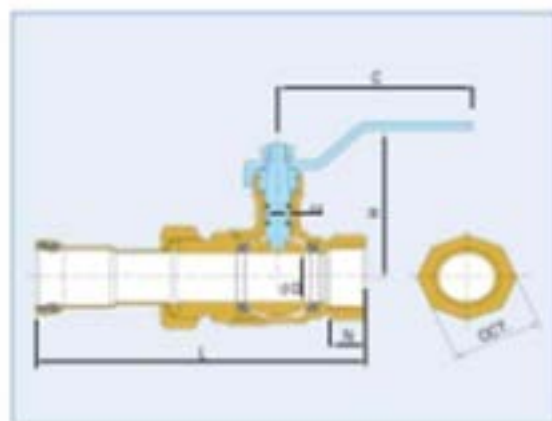
## Specification

**Cylinder Valves For  
Liquefied Petroleum Gas  
(13kg)**



# 보온용 SU볼밸브(10K)-풀보아 Longstem Full Bore SU Ball Valve

● KS B 2308 / 0.98MPa(10kgf/cm<sup>2</sup>) ● 수도용 냉, 온수



## ■ 특징 (Features)

- Ni(니켈)+Cr(크롬)도금 처리하여 외관이 미려하고 깨끗하다.
- 인체 유해성분이 생성되지 않아 음,용수용 배관라인에 사용이 가능하다.
- SP JOINT 타입으로 스테인레스 배관에 무용접으로 간편하게 사용 가능하다.

## ■ 사양 (Specification)

SIZE	15A(1/2") ~ 50A(2")
Working Pressure	10kgf/cm <sup>2</sup> / 0.98MPa
Max Pressure	14kgf/cm <sup>2</sup>
Max Temperature	80°C
Thread spec.	KS B 0222(PT)

## ■ 부분명칭 및 재질 (Part Name & Materials)

No.	Part Name	Material spec.	No.	Part Name	Material spec.
1	BODY	C 3771BE	10	WASHER	PTFE
2	COVER	C 3771BE	11	WASHER	PTFE
3	BALL	C 3604BD	12	NUT(Lock)	SWRCH 10
4	STEM	C 3604BD	13	SPRING WASHER	SWRCH 10
5	HANDLE	SS 330	14	UNION NUT	C 3604 BD
6	SEAT RING	PTFE	15	NUT	C 3604 BD
7	O-RING OR ADHESIVE	-	16	NIPPLE	STS304
8	O-RING	-	17	UNION PACKING	SILICONE
9	WASHER	PTFE			

## ■ 치수 (Dimensions)

Unit : mm

Size	Model No.	ØD	Ød	C	H	N	L	Octagonal
15A 1/2"	ESUB - 15	15	9	91.5	59	13.5	108	26
20A 3/4"	ESUB - 20	20	9	91.5	62	12.5	115	32
25A 1"	ESUB - 25	25	11	103.5	70	17	132	39
32A 1 1/4"	ESUB - 32	32	13	106	78	17	149	47
40A 1 1/2"	ESUB - 40	40	15	138	89	18	168	54
50A 2"	ESUB - 50	50	15	139	100	20.5	186	67.5

\*본 제품은 품질개선을 위하여 사전 예고없이 변경할 수 있습니다.

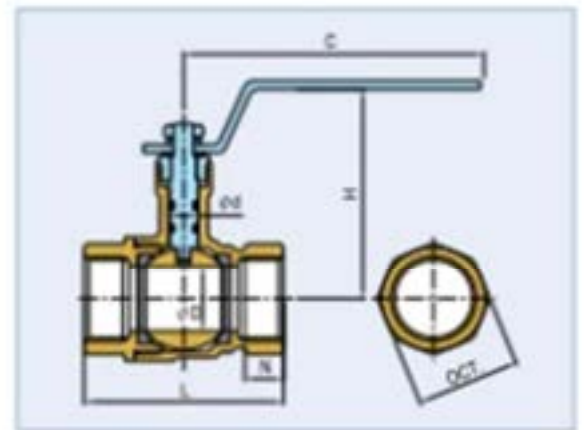
# 보온용 볼밸브(10K)-풀보아 Long Stem Full Bore Ball Valve

● KS B 2308 / 0.98MPa(10kgf/cm<sup>2</sup>) ● 수도용 냉, 온수



## ■ 특징 (Features)

- 목(Stem)을 길게 하여 보온재시공이 용이함.
- 풀보아(Full Bore)로 충분한 유량확보가 가능함.
- 니켈(Ni)도금처리로 외관이 미려하고 음용수 배관라인에 적합함.



## ■ 사양 (Specification)

SIZE	15A(1/2") ~ 50A(2")
Working Pressure	10kgf/cm <sup>2</sup> / 0.98MPa
Max Pressure	14kgf/cm <sup>2</sup>
Max Temperature	80°C
Thread spec.	KS B 0222(PT)

## ■ 부분명칭 및 재질 (Part Name & Materials)

No.	Part Name	Material spec.	No.	Part Name	Material spec.
1	BODY	C3771BE	7	O-RING	NBR 240S
2	COVER	C3771BE	8	NUT	C3604BD
3	BALL	C3771BE / YBSC3	9	HANDLE WASHER	PTFE
4	SPINDLE	C3604BD	10	SPRING WASHER	SWRH 4
5	HANDLE	SS330	11	HEX NUT	SWRCH 10
6	SEATRING	PTFE			

## ■ 치수 (Dimensions)

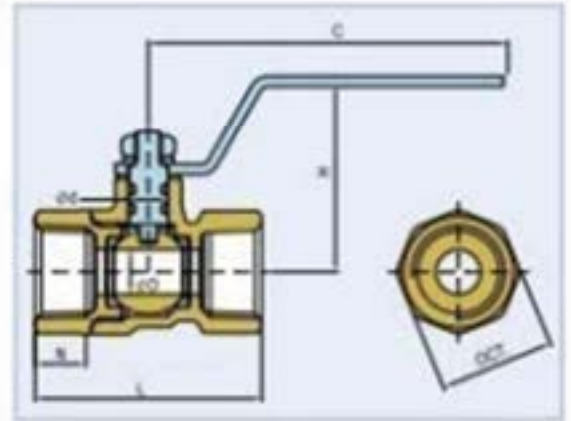
Unit : mm

Size	Model No.	ØD	Ød	C	H	N	L	Octagonal
15A 1/2"	ELSB - 15	15	9	91.5	59	13.5	54.5	26
20A 3/4"	ELSB - 20	20	9	91.5	62	12.5	61.5	32
25A 1"	ELSB - 25	25	11	103.5	70	17	74	39
32A 1 1/4"	ELSB - 32	32	13	106	78	17	85.5	47
40A 1 1/2"	ELSB - 40	40	15	138	89	18	97	54
50A 2"	ELSB - 50	50	15	169.5	91	21.5	113	67.5

\*본 제도는 표상치만을 위하여 사전 예고없이 변경될 수 있습니다.

# 황동 나사식 볼밸브(10K) Forged Brass Ball Valve

● KS B 2308 / 0.98MPa(10kgf/cm<sup>2</sup>) ● Gas, 공업용 냉, 온수 및 화학약품 ※ 가스용 핸들은 노란색임



## ■ 사양 (Specification)

SIZE	8A(1/4") - 100A(4")
Working Pressure	10kgf/cm <sup>2</sup> / 0.98MPa
Max Pressure	14kgf/cm <sup>2</sup>
Max Temperature	80°C
Thread spec.	KS B 0222(PT)

## ■ 부분명칭 및 재질 (Part Name & Material(s))

No.	Part Name	Material spec.	No.	Part Name	Material spec.
1	BODY	C3771BE	7	O-RING	NBR 240S
2	COVER	C3771BE	8	HANDLE WASHER	PTFE
3	BALL	C3604BD / C3771BE	9	SPRING WASHER	SWRH 4
4	SPINDLE	C3604BD	10	NUT	SWRCH 10
5	HANDLE	SS330	11	COVER O-RING	NBR 240S
6	SEAT RING	PTFE			

## ■ 치수 (Dimensions)

Unit : mm

Size	Model No.	ØD	Ød	C	H	N	L	Octagonal	
8A	1/4"	GVB - 8	8	8	70	38	8	40	21
10A	3/8"	GVB - 10	8	8	70	38	8	40	21
15A	1/2"	GVB - 15	10	9	80	42	11.5	51	25
20A	3/4"	GVB - 20	15	9	80	45	12.8	57.5	31
25A	1"	GVB - 25	20	11	100	54	14.5	68	38
32A	1 1/4"	GVB - 32	25	11	130	58	16.5	75.5	47
40A	1 1/2"	GVB - 40	32	15.2	144	64	18	86	54
50A	2"	GVB - 50	40	15.2	144	69.5	22.8	103	66
65A	2 1/2"	GVB - 65	50	18	170	83	25.5	134.8	83
80A	3"	GVB - 80	65	18	170	94	27.5	150.8	98
100A	4"	GVB - 100	80	18	170	104	35.5	192	122

\*본 제품은 합성재질을 위하여 사선 처리되어 변경될 수 있습니다.



# 밸브류

## Valves

### 압력조절밸브\_슬림형 (Safety Valve\_Slim Type)



PT1/2 x Ø12 1~7 kgf/cm <sup>2</sup>			
호칭(英)	적용사	L	H
SA 12	PT 12	23	33

### 압력조절밸브\_호스형 (Safety Valve\_Hose Type)



PT1/2 x Ø16 1~7 kgf/cm <sup>2</sup>			
호칭(英)	적용사	L	H
SA 12	PT 12	35	44

### 압력조절밸브 (Safety Valve)



호칭	적용사
커플링타입	PT 1/2
순간순수기용	M12 x 1.0P

### 압력조절밸브\_Mx F (Safety Valve M x F)



PT3/4 x PT1/2 3~7 kgf/cm <sup>2</sup>			
호칭(英)	적용사	L	H
2A 3/4	PT 3/4 PT 1/2	27	35

### 압력조절밸브\_Mx F (Safety Valve M x F)



PT1/2 x PT1/2 3~7 kgf/cm <sup>2</sup>			
호칭(英)	적용사	L	H
SA 12	PT 1/2 PT 1/2	27	35

### Y형 밸브 (Y Type Valve)



호칭	규격	적용사
Y테코밸브	15A	PT 1/2
Y테코밸브	20A	PT 3/4
Y스트레이너	15A	PT 1/2
Y스트레이너	20A	PT 3/4

### 안전밸브 (안전핀) - (Safety Valve)



호칭(英)	적용사
1/8	PT 1/8
1/4	PT 1/4
3/8	PT 3/8
1/2	PT 1/2

### 안전밸브 (안전핀) - (Safety Valve)



호칭(英)	적용사
1/8	PT 1/8
1/4	PT 1/4
3/8	PT 3/8
1/2	PT 1/2

### 수전영급밸브 (Faucet Angle Valve)



호칭	규격	적용사
권리영급밸브	SA 1/2	PT 1/2
수전영급밸브	SA 1/2	PT 1/2

### 정수기 볼밸브 (Water Purifier Ball Valve)



호칭	규격
레버 타입	1/4 x Ø16
레버 타입	1/4 x Ø20
나비 타입	1/4 x Ø16
나비 타입	1/4 x Ø20
호스연결 밸브	Ø6 x Ø6
호스연결 밸브	Ø8 x Ø8

### 정수기 어댑터 SET (Water Purifier Adapter Set)



호칭	규격
평형브 타입	15mm
평형브 타입	20mm
평형브 타입	20mm
평형브 타입	25mm

### 정수기 어댑터 밸브 SET (Water Purifier Adapter Valve Set)



호칭	규격
에어런 타입	15mm
에어런 타입	20mm
에어런 타입	20mm
에어런 타입	25mm

### 차지니플(코어) - Charge Nipple(Core)



호칭(英)	적용사(英)
3/16	4.75
1/4	6.35

### 스팀밸브 (Steam Valve)



호칭(英)	L	H (Open)	H (Close)
1/2 x 20.0MP	26	32	30

### 육각 R 너트 & S 트랩너트 (Hex R Nut & S Trap Nut)

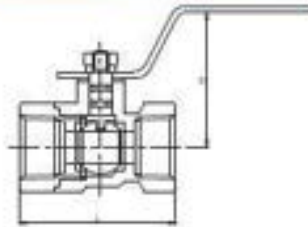


호칭(英)	적용사
15mm	PF10-14A
25mm	M25-14A
20mm	PF3/4-14A
25mm	M25-18A
30mm	M30 x 1.5P
40mm	M40-19A

# Valve

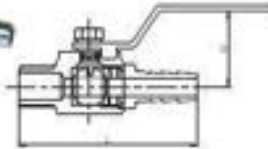


## 나사식 볼밸브 (Ball Valve F×F) - 황동, 스텐 (Brass, Stainless)



호칭지름 (inch)	적용나사	H	L
3A 1/4	PT 1/4	38	40
10A 3/8	PT 3/8	38	40
15A 1/2	PT 1/2	42	51
20A 3/4	PT 3/4	45	52
25A 1"	PT 1"	54	69
32A 1 1/4	PT 1 1/4	58	81
40A 1 1/2	PT 1 1/2	64	93
60A 2"	PT 2"	68.5	111.5
65A 2 1/2	PT 2 1/2	83	134.5
80A 3"	PT 3"	94	150.5
100A 4"	PT 4"	104	192

## 볼콕크 (Ball Valve - Hose Type)



호칭지름 (inch)	적용나사	H	L
1/8×9.5	PT 1/8	18	50
1/4×9.5	PT 1/4	25	38
3/8×9.5	PT 3/8	25	58
3/8×13	PT 3/8	25	58
1/2×9.5	PT 1/2	25	66
1/2×11	PT 1/2	25	65
1/2×13	PT 1/2	25	66
1/2×16	PT 1/2	25	65

## 삼방 볼밸브 (3-Way Ball Valve F×F×F)



호칭지름 (inch)	적용나사	H	L
6A 1/8	PT 1/8	27	41
3A 1/4	PT 1/4	37	47
10A 3/8	PT 3/8	37	48
15A 1/2	PT 1/2	43	56
20A 3/4	PT 3/4	47	67
25A 1"	PT 1"	54	80
32A 1 1/4	PT 1 1/4	62	88
40A 1 1/2	PT 1 1/2	78	89
50A 2"	PT 2"	80	103

## 암수볼밸브(레바) - (Ball Valve M×F)



호칭지름 (inch)	적용나사
6A 1/8	PT 1/8
3A 1/4	PT 1/4
10A 3/8	PT 3/8
15A 1/2	PT 1/2

## KS볼밸브(나비핸들) M×F



호칭지름 (inch)	종류	적용나사
15A 1/2	M×F	PT 1/2
20A 3/4	M×F	PT 3/4

## KS볼밸브(나비핸들) F×F



호칭지름 (inch)	종류	적용나사
15A 1/2	F×F	PT 1/2
20A 3/4	F×F	PT 3/4

## BS볼밸브(나비핸들) M×F



호칭지름 (inch)	종류	적용나사
15A 1/2	M×F	PT 1/2

## BS볼밸브(나비핸들) F×F



호칭지름 (inch)	적용나사
15A 1/2	F×F PT 1/2

## KS X-L 헤드밸브(레바)



품명	규격	적용나사
뒤수형 레버핸들	15A 1/2	PT 1/2

## KS X-L 헤드밸브(나비)



품명	규격	적용나사
무뒤수형 나비핸들	15A 1/2	PT 1/2

## BS볼밸브(나비) M×F



호칭지름 (inch)	적용나사
6A 1/8	PT 1/8
3A 1/4	PT 1/4
10A 3/8	PT 3/8

## BS볼밸브(나비) F×F



호칭지름 (inch)	적용나사
6A 1/8	PT 1/8
3A 1/4	PT 1/4
10A 3/8	PT 3/8



KOTRA's Global Promotion Project  
for Excellent Export Products

# LPG Valve in JAPAN



Over flow attachment



Gas release preventi  
on device "Gasper"  
Nikkei

From 5,070 yen (e  
xcluding tax)  
From 5,577 yen (tax  
included)

**Expensive due to additional costs**




## Function

This valve is an overflow valve made in japan  
It is a type that attaches to the existing valve in an  
adapter format



KOTRA's Global Promotion Project  
for Excellent Export Products

# Comparison

	contry	Operating	Additional Parts/ price
	U.S	<ul style="list-style-type: none"><li>• Just sutoff when regurator is seperated</li><li>• prevent overflow</li></ul>	Need / High
	JAPAN	<ul style="list-style-type: none"><li>• gas overflow shuoff</li><li>• when large impact occurred shutoff</li></ul>	Need / High
	I-O-SAM	<ul style="list-style-type: none"><li>• Pipe(hose) ruptured</li><li>• Pipe(hose) minor damaged</li><li>• Gas tank falls any sides</li><li>• Separate regurator or pipe</li><li>• <b>Including U.S&amp; Japan case</b></li></ul>	<b>NO / Low</b> <b>(similar with existing valves)</b>



KOTRA's Global Promotion Project  
for Excellent Export Products

# Patents status



KOREA



CHINA



INDIA



PHILIPPINES



JAPAN



THAILAND

# II-O-SAM

Overflow cutoff valve in LPG

The best safe valve



Buy Korea link



Video sample

• **II-O-Sam Co., Ltd.**

43-1, Jeonyeong-ro 1441beon-gil, Yeongjung-myeon, Pocheon-si,  
Gyeonggi-do, Republic of Korea

Tel: (82-31) 531-9980

Fax: (82-31) 531-8896

E-mail: dmshin007@nuxer.com